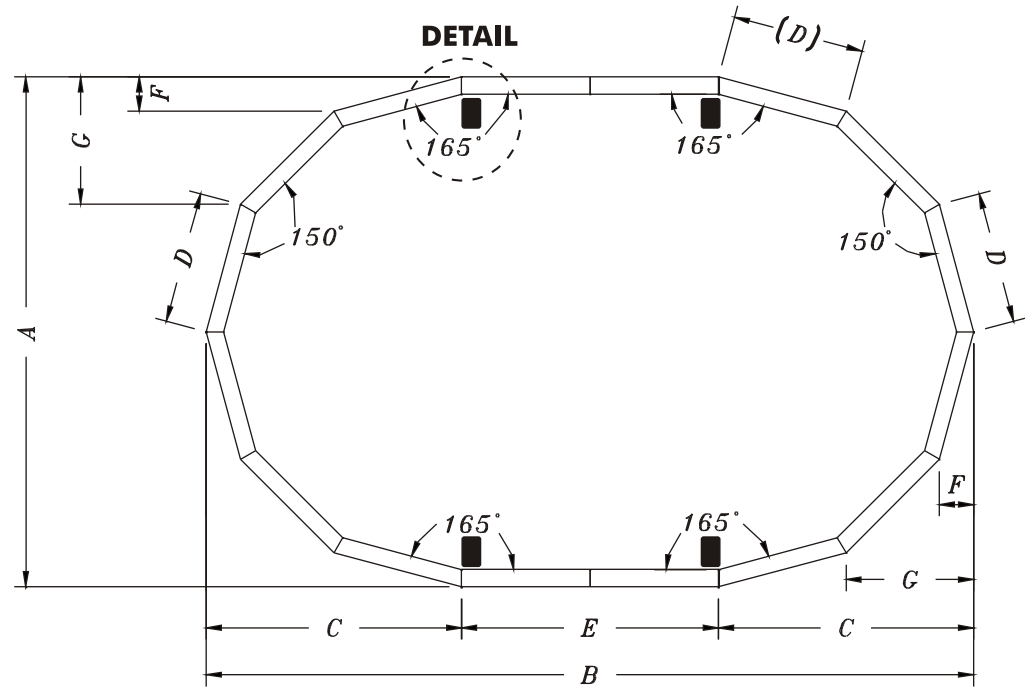
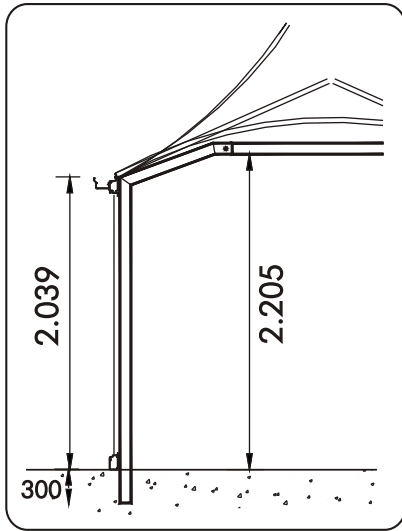


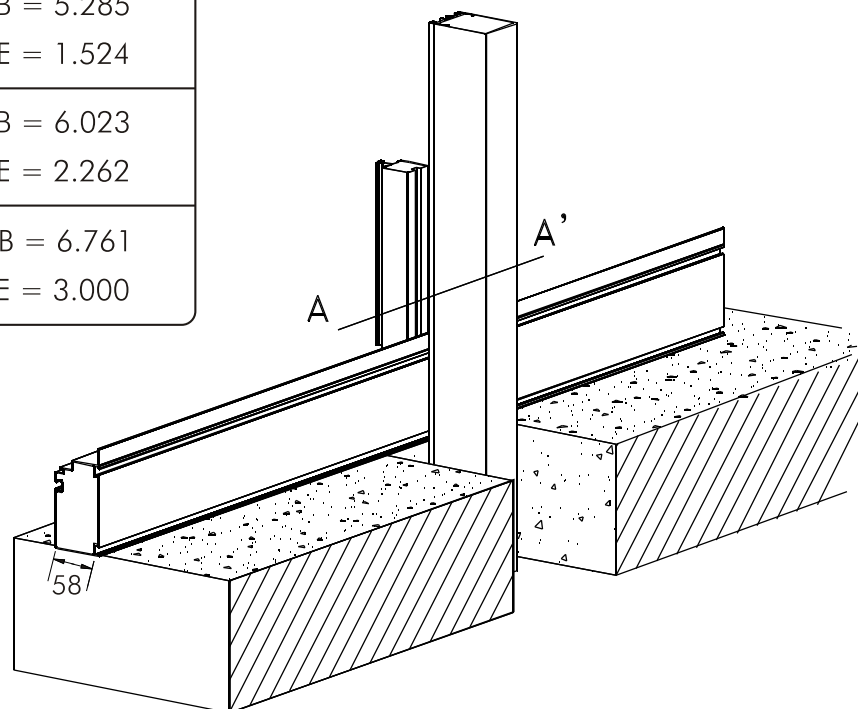
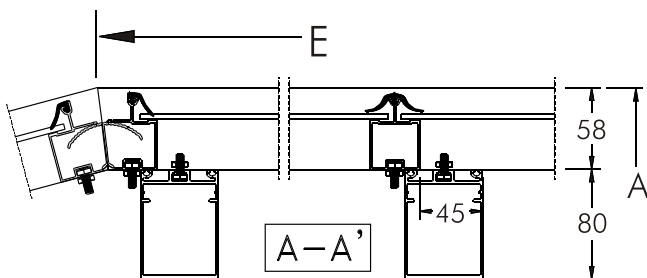


# Funderingsplan - Plan de Fondation - Fundamentplan - Foundation drawing



Model	DIA 3.100 (= A)	DIA 3.776 (= A)
<b>Carrousel A, B en Pagode</b>	C = 1.542 D = 802 (D=794) F = 205 G = 773	C = 1.880 D = 977 (D=969) F = 253 G = 941
	B = 3.100 E = 0	B = 3.776 E = 0
	B = 3.871 E = 786	B = 4.547 E = 786
	B = 4.608 E = 1.524	B = 5.285 E = 1.524
	B = 5.346 E = 2.262	B = 6.023 E = 2.262
	B = 6.085 E = 3.000	B = 6.761 E = 3.000

Model	DIA (A)	H 1	H 2 (max)
	3.100 3.776	2.039 2.039	3.070 3.110
	3.100 3.776	2.039 2.039	2.766 3.002
	3.100 3.776	2.039 2.039	3.765 4.067



**DETAIL**